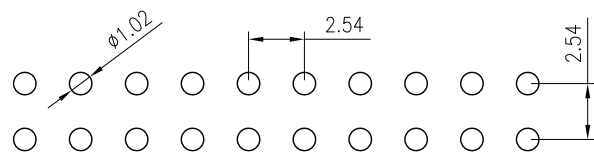
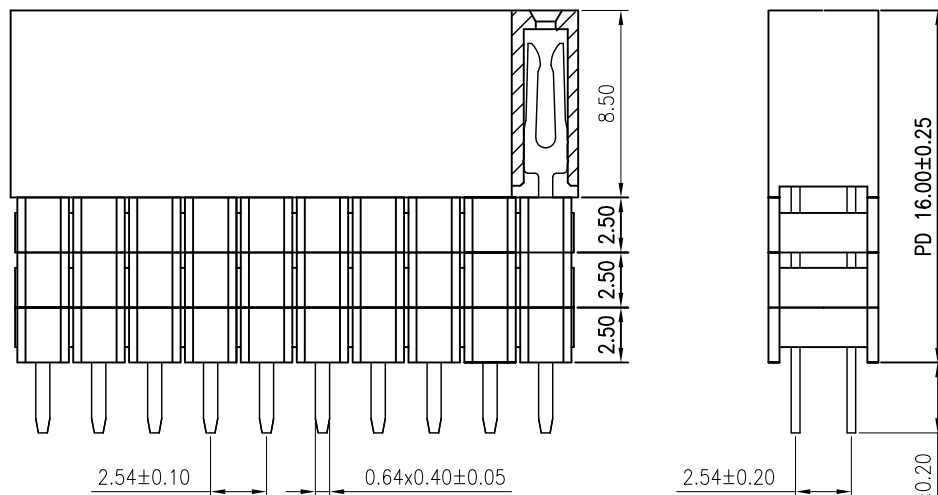
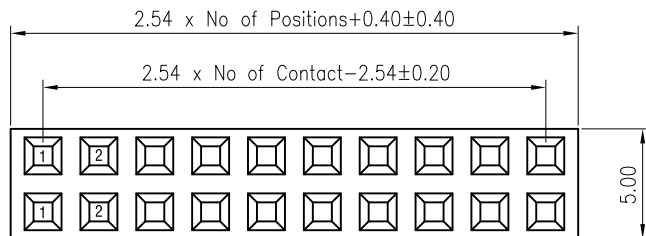


4

3

2

1



P.C.B LAYOUT

REVISION DATA

REV	DESCRIPTION	DATE
A0	NEW DRAWING	2021-06-18

Specification

Material:

Contact Material: Brass(C2680)

Contact plating: Au or Sn Over30-50u" Ni

Insulator Material: Black Polyester UL94V-0

Standard: PBT/PA6T/PA9T/LCP + 30%G.F

Electrical:

Current rating: 3.0Amps/contact max.

Contact resistance: $\leq 20\text{m}\Omega$ /contactInsulation resistance: $\geq 1000\text{M}\Omega$ at V=100V

Withstanding Voltage: 1000V AC/minute

Mechanical:

Operating temperature: -40°C to $+105^{\circ}\text{C}$ Wave soldering temperature: $255 \pm 5^{\circ}\text{C}$, 10s

PROJECT	PC (mm)	PD (mm)
Standard	3.2	16.0
Specified		

FF14

2XX4

D

XX

B

X

B

N

X

D00

Product Descriptions
FF14 H8.5 W2.4No. of Positions
02-40PAngle Type
D StraightContact Plated
SN Tin120u"
MT 雾锡120u"
GF Gold 0.8u"
G1 Au1u"
G3 Au3u"
G4 Au5u"
G6 Au10u"
G7 Au15u"
G8 Au30u"
GA Au1.5u"
S1 半金锡1u"Contact Material
B C2680Insulator Material
A PBT
C PA6T
E PA9T
F LCPInsulator Color
B BlackInsulator Feature
N Without PegPacking Options
A PE Bag
B Tray
C PVC Box
D TubeSeries No.
D00 PC3.2mm

GSAMTEK® 东莞市广溯电子科技有限公司
DONGGUAN GUANG SU ELECTRONIC TECHNOLOGY CO.,LTD

TOLERANCE	PROJECTON		TITLE:
ANGLE $\pm 5^{\circ}$	DATE :	2021-06-18	双排四塑180度排母: PH2.54 H8.5+3x2.5 Y型 PC3.2
X.XXX ± 0.10	DRAWN :	SAMTEK	PART NO. FF142XX4DXXBXBXND00
X.XX ± 0.20	CHECKED :		DRAWING NO.
X.X ± 0.30	APPROVED :		REV: A0 UNIT: mm SCALE: 3:1 SIZE: A4
X. ± 0.50			

4

3

2

1