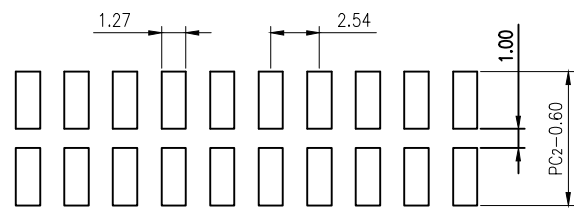
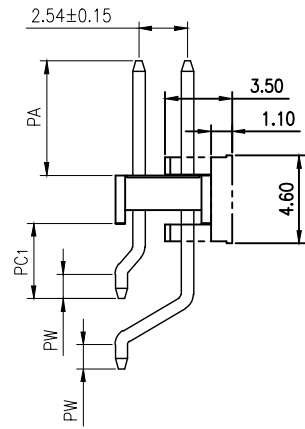
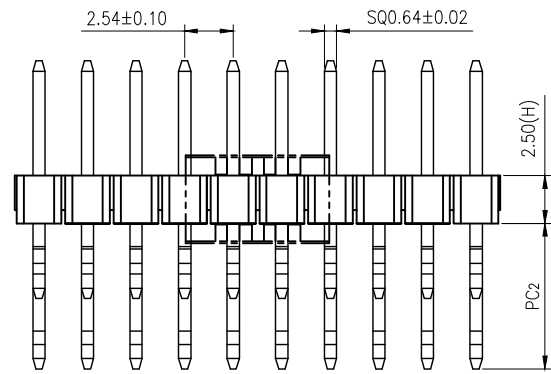
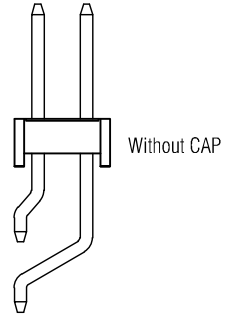
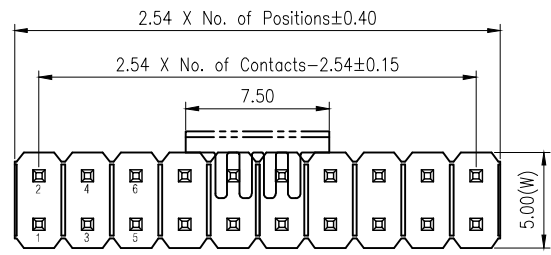


REVISION DATA		
REV	DESCRIPTION	DATE
A0	NEW DRAWING	2015-12-16



P.C.B LAYOUT

Specification

Material:
 Contact Material: Brass
 Contact plating: Au or Sn Over 30-50u" Ni
 Insulator Material: Black Polyester UL94V-0
 Standard: PA6T/PA9T/LCP + 30%G.F

Electrical:
 Current rating: 3.0Amps/contact max.
 Contact resistance: ≤ 20mΩ/contact
 Insulation resistance: ≥ 1000MΩ at V=100V
 Withstanding Voltage: 1000V AC/minute

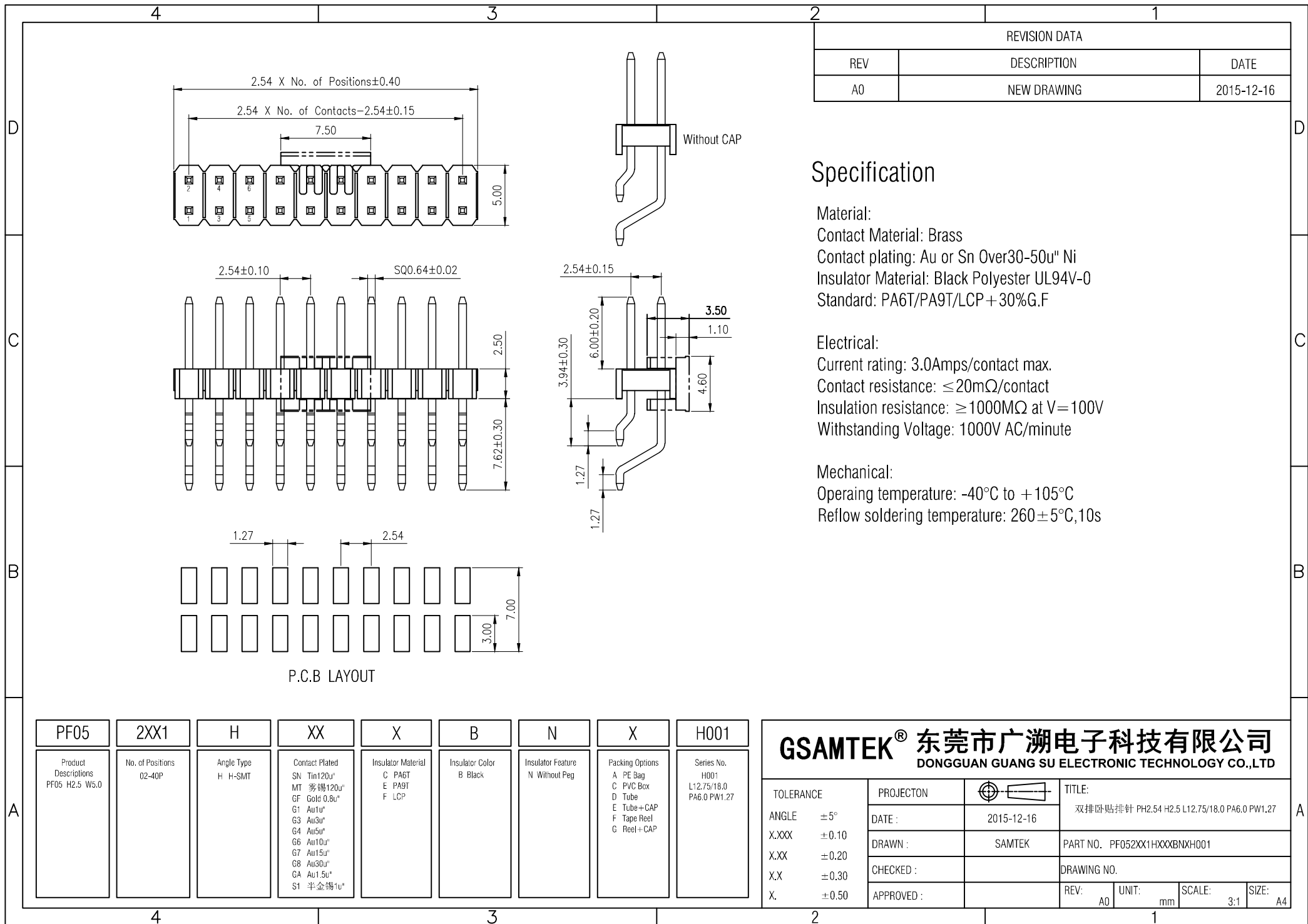
Mechanical:
 Operating temperature: -40°C to +105°C
 Reflow soldering temperature: 260 ± 5°C, 10s

PROJECT	PA (mm)	PW (mm)	PC1 (mm)	PC2 (mm)
Standard	6.00	1.27	3.94	7.62
Specified				

PF05	2XX1	H	XX	X	B	N	X	HXXX
Product Descriptions PF05 H2.5 W5.0	No. of Positions 02-40P	Angle Type H H-SMT	Contact Plated SN Tin120u" MT 锡120u" GF Gold 0.8u" G1 Au1u" G3 Au3u" G4 Au5u" G6 Au10u" G7 Au15u" G8 Au30u" GA Au1.5u" S1 半金锡1u"	Insulator Material C PA6T E PA9T F LCP	Insulator Color B Black	Insulator Feature N Without Peg	Packing Options A PE Bag C PVC Box D Tube E Tube+CAP F Tape Reel G Reel+CAP	Series No. HXXX L _短 = PA + H + PC1 + 0.3 L _长 = L _短 + 5.25

GSAMTEK® 东莞市广溯电子科技有限公司
 DONGGUAN GUANG SU ELECTRONIC TECHNOLOGY CO.,LTD

TOLERANCE	PROJECTON		TITLE:
ANGLE ±5°	DATE:	2015-12-16	双排贴片排针 PH2.54 H2.5 系列图
X.XXX ±0.10	DRAWN:	SAMTEK	PART NO. PF052XX1HXXXBNXHXXX
X.XX ±0.20	CHECKED:		DRAWING NO.
X.X ±0.30	APPROVED:		REV: A0 UNIT: mm SCALE: 3:1 SIZE: A4
X. ±0.50			



REVISION DATA		
REV	DESCRIPTION	DATE
A0	NEW DRAWING	2015-12-16

Specification

Material:
 Contact Material: Brass
 Contact plating: Au or Sn Over30-50u" Ni
 Insulator Material: Black Polyester UL94V-0
 Standard: PA6T/PA9T/LCP+30%G.F

Electrical:
 Current rating: 3.0Amps/contact max.
 Contact resistance: ≤20mΩ/contact
 Insulation resistance: ≥1000MΩ at V=100V
 Withstanding Voltage: 1000V AC/minute

Mechanical:
 Operating temperature: -40°C to +105°C
 Reflow soldering temperature: 260±5°C,10s

PF05	2XX1	H	XX	X	B	N	X	H001
Product Descriptions PF05 H2.5 W5.0	No. of Positions 02-40P	Angle Type H H-SMT	Contact Plated SN Tin120u" MT 雾锡120u" GF Gold 0.8u" G1 Au1u" G3 Au3u" G4 Au5u" G6 Au10u" G7 Au15u" G8 Au30u" GA Au1.5u" S1 半金锡1u"	Insulator Material C PA6T E PA9T F LCP	Insulator Color B Black	Insulator Feature N Without Peg	Packing Options A PE Bag C PVC Box D Tube E Tube+CAP F Tape Reel G Reel+CAP	Series No. H001 L12.75/18.0 PA6.0 PW1.27

GSAMTEK® 东莞市广溯电子科技有限公司 DONGGUAN GUANG SU ELECTRONIC TECHNOLOGY CO.,LTD				
TOLERANCE	PROJECTON		TITLE: 双排贴片排针 PH2.54 H2.5 L12.75/18.0 PA6.0 PW1.27	
ANGLE ±5°	DATE :	2015-12-16	PART NO. PF052XX1HXXXBNXH001	
X.XXX ±0.10	DRAWN :	SAMTEK	DRAWING NO.	
X.XX ±0.20	CHECKED :		REV: A0 UNIT: mm SCALE: 3:1 SIZE: A4	
X.X ±0.30	APPROVED :			
X. ±0.50				