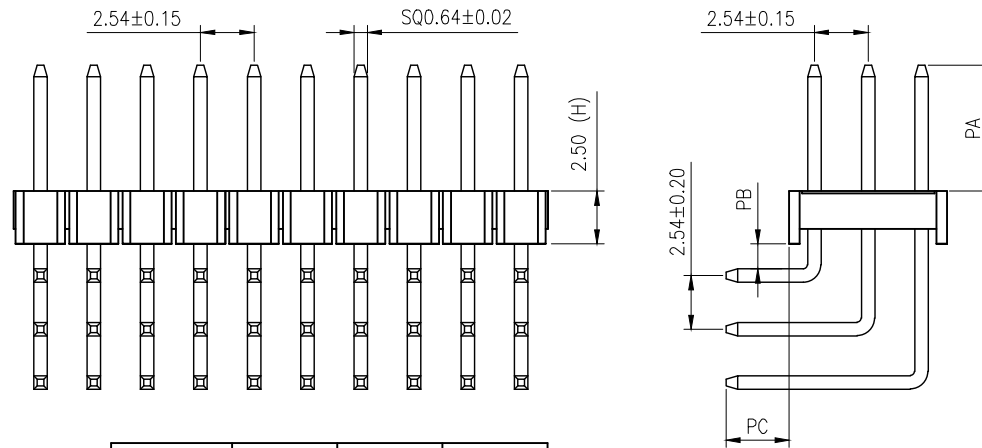
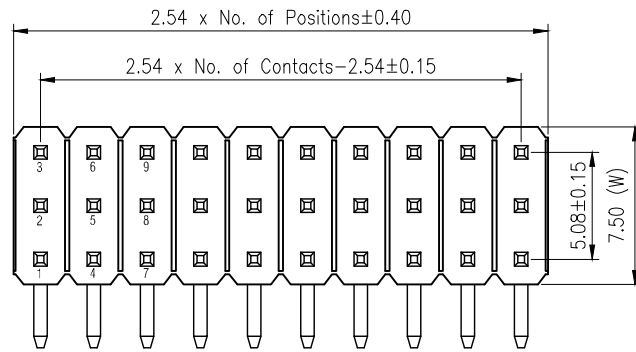


REVISION DATA		
REV	DESCRIPTION	DATE
A0	NEW DRAWING	2015-09-21



PROJECT	PA (mm)	PB (mm)	PC (mm)
Standard	6.00	1.20	6.00
Specified			

Specification

Material:

Contact Material: Brass

Contact plating: Au or Sn Over 30-50u" Ni

Insulator Material: Black Polyester UL94V-0

Standard: PBT/PA6T/PA9T/LCP + 30%G.F

Electrical:

Current rating: 3.0Amps/contact max.

Contact resistance: $\leq 20\text{m}\Omega/\text{contact}$

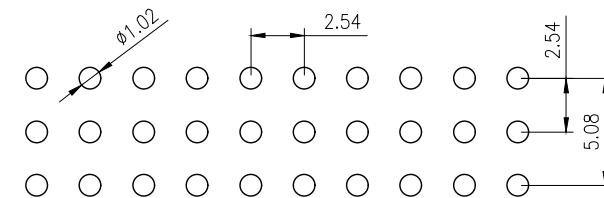
Insulation resistance: $\geq 1000\text{M}\Omega$ at $V=100\text{V}$

Withstanding Voltage: 1000V AC/minute

Mechanical:

Operating temperature: -40°C to $+105^\circ\text{C}$

Wave soldering temperature: $255 \pm 5^\circ\text{C}$, 10s



P.C.B LAYOUT

PF05	3XX1	R	XX	X	B	N	A	RXXX
Product Descriptions PF05 H2.5 W7.5	No. of Positions 02-40P	Angle Type R Right Angle	Contact Plated SN Tin 120u" MT 雾锡 120u" GF Gold 0.8u" G1 Au1u" G3 Au3u" G4 Au5u" G6 Au10u" G7 Au15u" G8 Au30u" GA Au1.5u" S1 半金锡1u"	Insulator Material A PBT C PA6T E PA9T F LCP	Insulator Color B Black	Insulator Feature N Without Peg	Packing Options A PE Bag	Series No. RXXX L1=PA+H+PB +PC+1.25 L2=L1+5.0 L2=L1+10.0

GSAMTEK® 东莞市广溯电子科技有限公司
DONGGUAN GUANG SU ELECTRONIC TECHNOLOGY CO.,LTD

TOLERANCE	PROJECTON	TITLE:
ANGLE $\pm 5^\circ$	DATE: 2015-09-21	三排90度排针 PH2.54 H2.5 系列图
X.XXX ± 0.10	DRAWN: SAMTEK	PART NO. PF053XX1RXXXBNARXXX
X.XX ± 0.20	CHECKED:	DRAWING NO.
X.X ± 0.30	APPROVED:	REV: A0 UNIT: mm SCALE: 3:1 SIZE: A4
X. ± 0.50		

REVISION DATA		
REV	DESCRIPTION	DATE
A0	NEW DRAWING	2015-09-21

Specification

Material:

Contact Material: Brass

Contact plating: Au or Sn Over30-50u" Ni

Insulator Material: Black Polyester UL94V-0

Standard: PBT/PA6T/PA9T/LCP + 30%G.F

Electrical:

Current rating: 3.0Amps/contact max.

Contact resistance: $\leq 20\text{m}\Omega/\text{contact}$

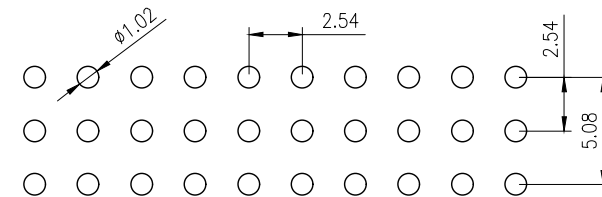
Insulation resistance: $\geq 1000\text{M}\Omega$ at $V=100\text{V}$

Withstanding Voltage: 1000V AC/minute

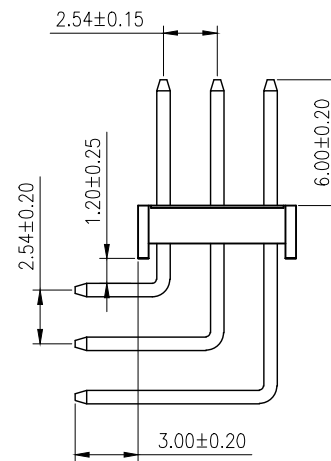
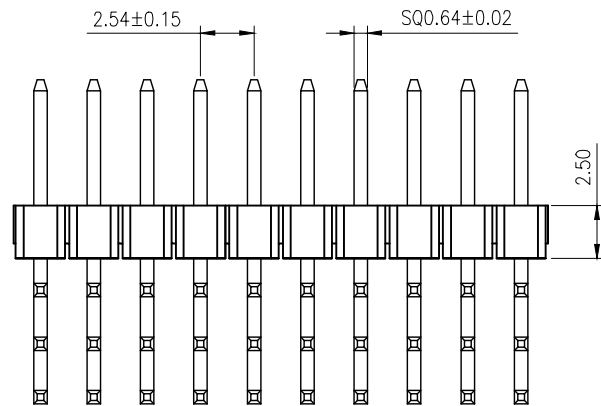
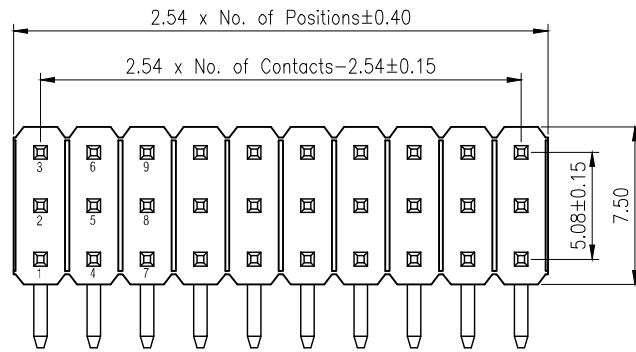
Mechanical:

Operating temperature: -40°C to $+105^{\circ}\text{C}$

Wave soldering temperature: $255 \pm 5^{\circ}\text{C}$, 10s



P.C.B LAYOUT



PF05	3XX1	R	XX	X	B	N	A	R001
Product Descriptions PF05 H2.5 W7.5	No. of Positions 02-40P	Angle Type R Right Angle	Contact Plated SN Tin120u" MT 雾锡120u" GF Gold 0.8u" G1 Au1u" G3 Au3u" G4 Au5u" G6 Au10u" G7 Au15u" G8 Au30u" GA Au1.5u" S1 半金锡1u"	Insulator Material A PBT C PA6T E PA9T F LCP	Insulator Color B Black	Insulator Feature N Without Peg	Packing Options A PE Bag	Series No. R001 L13.8/18.8/23.8 PA6.0 PB1.2 PC3.0

GSAMTEK® 东莞市广溯电子科技有限公司
DONGGUAN GUANG SU ELECTRONIC TECHNOLOGY CO.,LTD

TOLERANCE	PROJECTON		TITLE:
ANGLE $\pm 5^{\circ}$	DATE:	2015-09-21	三排90度排针 PH2.54 H2.5 L13.8/18.8/23.8 PA6.0 PB1.2 PC3.0
X.XXX ± 0.10	DRAWN:	SAMTEK	PART NO. PF053XX1RXXXBNAR001
X.XX ± 0.20	CHECKED:		DRAWING NO.
X.X ± 0.30	APPROVED:		REV: A0 UNIT: mm SCALE: 3:1 SIZE: A4
X. ± 0.50			